

Transmission Structure Foundation Grillages

For use with grouted micropiles

Grillages attach micropiles to structure bases or tower legs. Customized designs fit various possible combinations of piles and structures.

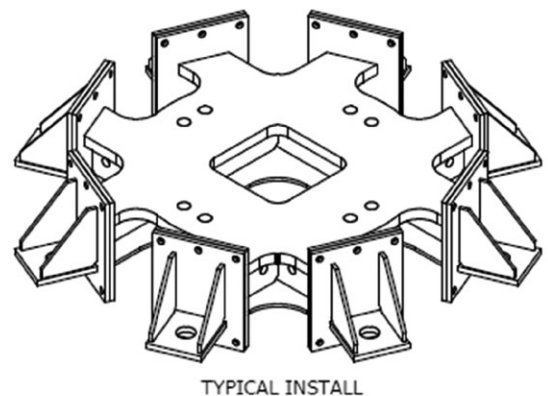
Please contact factory for additional information on specific projects.

Benefits

- Lower project costs
- Micropiles can be installed in hard, challenging ground conditions not suitable for helical piles
- Install and set tower in all types of weather

Features

- Pre-engineered, factory-built above-grade grillage base
- Grillage assemblies for connecting 4-12 micropiles available, depending on load requirements
- Micropile structural rebar attaches directly to grillage base
- Grillage built to match pole base structure bolt circle pattern
- Alignment bracket for accurately placing micropiles can be used during installation



For product inquiries, please contact your local sales representative or customer service representative



A proud member of the Hubbell family.

©2023 Hubbell Power Systems. All rights reserved.
Hubbell and the Hubbell logo are registered trademarks or trademarks of Hubbell Incorporated. All other trademarks are the property of their respective owners.
210 N. Allen Centralia, MO 65240 | (573) 682-5521
www.hubbellpowersystems.com | Email: hpsc@hubbell.com